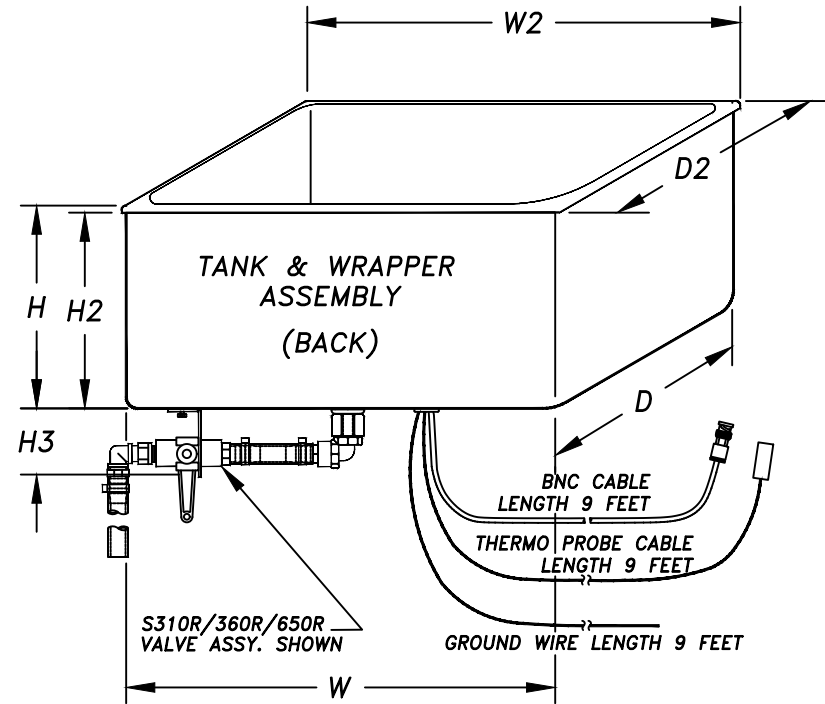
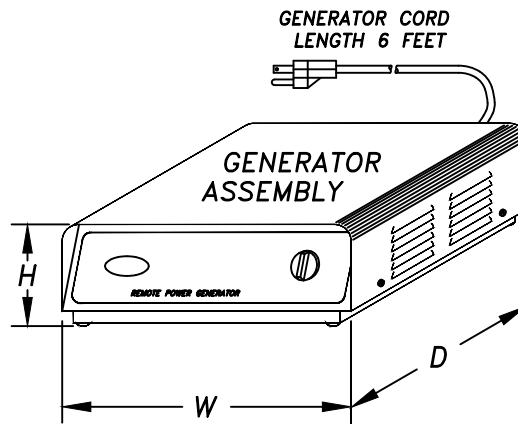
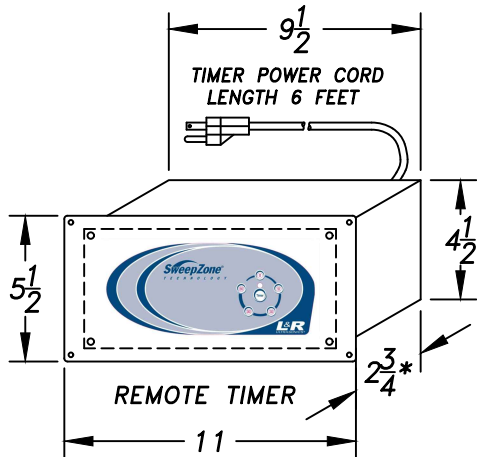


MODEL	GENERATOR ASSY. - OVER ALL DIMENSIONS				
	D*	W	H	Knob	BNC
S150R	6-1/8	10-1/8	4	5/8	1-3/8
S360R	10-1/8	16-1/4	6-1/4	"	"
S310R	"	"	"	"	"
S650R	"	"	"	"	"

MODEL	DRAIN DIA.	TANK & WRAPPER ASSY. - OVER ALL DIMENSIONS						
		D	D2	W	W2	H	H2	H3
S150R	.375 ID PIPE	5-15/16	6-3/8	9-7/8	10-3/8	5-1/4	4-7/8	2-1/4
S360R	.50 OD TUBE	9-15/16	10-1/2	12-1/4	12-7/8	9-7/8	9-1/2	3-1/8
S310R	.50 OD TUBE	9-1/2	10	16	16-1/2	8	7-5/8	3-1/8
S650R	.50 OD TUBE	12-1/2	13-3/4	20-1/2	21-3/4	8-1/4	7-7/8	3-1/8

\*= ADD 2 INCHES TO ACCOUNT FOR LINE CORD.



**NOTES:**

- BNC CABLE LENGTH 10'
- BNC CONNECTOR O.D. .6" MAX.
- TUBING I.D. 

<u>S150R</u>	.250"	<u>S310R/360R/650R</u>	.500
	.375		.625
- TUBING O.D. 

<u>S150R</u>	.375	<u>S310R/360R/650R</u>	.625
--------------	------	------------------------	------
- VALVE O.D. .8" (EXCLUDING HANDLE) S150R ONLY

					RECESSED UNITS S-LINE OVERALL DIMENSIONS			USED ON D/N
C	6/17	REMOTE TIMER WAS 3 3/4 DEEP	9109	JPM				
B	1/17	CORD LENGTHS ADDED.	9087	JPM				
A	3/08	S360R DRAIN WAS .375.	8526	JPM				
REV.	DATE	DESCRIPTION	ECN NO.	APR.	DRAWN BY: JLM	CHECKED BY:	APPROVED BY:	
					DATE: 11/21/96	SCALE: NONE	TOTAL SHEETS: 1	C/N
TOLERANCES UNLESS OTHERWISE SPECIFIED 3 PLACE DECIMAL (.XXX) ± .010 2 PLACE DECIMAL (.XX) ± .020 ANGLE ± .5°					<b>L &amp; R</b>		INTENDED FORMAT SIZE A	DIRECTORY DWGS TYPE 1
					L & R MANUFACTURING COMPANY 577 ELM STREET, KEARNY, NJ, USA 07032			DRAWING NUMBER <b>14656</b>
					SHEET 1 OF 1			